

Mini Carriage Ladder (MCL) Fitting Instructions

Please note the minimum required dimensions below:

Minimum aperture 750mm (h) and 500mm (w)

Minimum storage height 800mm.

Minimum storage length 1350mm

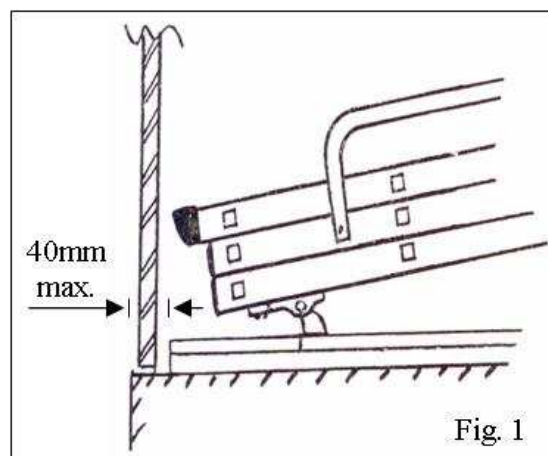
Assembly

Do not attempt to use this loft ladder until it has been properly installed and stages ① - ④ have been completed.

Read the instructions completely before attempting to install this loft ladder and make sure they are fully understood.

1. Lift complete assembly, including baseboard, onto the loft floor. Position baseboard with its edge abutting rear of closed door (or at max. 40mm from edge of floor). Screw securely through baseboard onto loft floor.

NB If the ladder baseboard needs to be positioned more than 40mm from the edge of the floor, then the two notches on either side of the running board needs to be extended. Remove the two stop screws and slide the top running board forward, cut the notches on either side to the required length and slide the board back into place. Finally replace the two stop screws.



2. Slide ladder along base so that the plastic feet are overhanging the edge of the loft floor. With assistance (if required) release catches on side of ladder and lower section to the floor.

DO NOT CLIMB LADDER UNTIL TOP STOPS ARE FIXED

3. Adjust position of ladder with its side catches engaged to desired angle (with treads in horizontal position) and adjust the tread overlap for the required height as instructed below.

Adjusting the tread overlap

When the top of the ladder overlaps the loft floor by less than one tread, the ladder legs can be cut down by up to 150mm and the feet replaced.

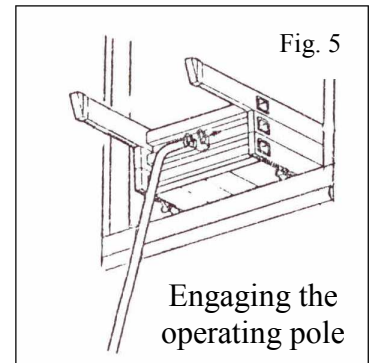
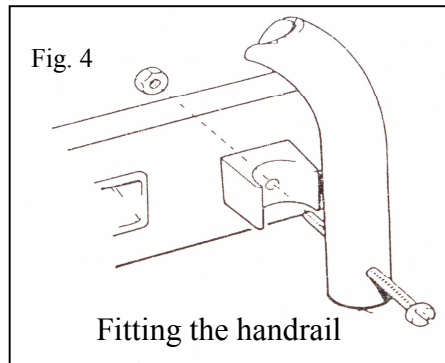
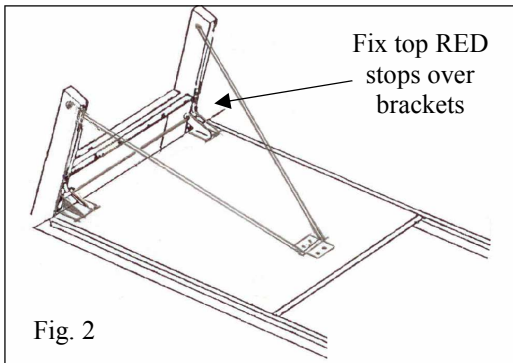
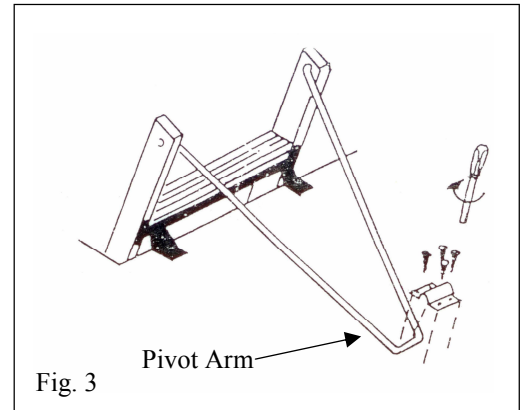
When the overlap is greater than one tread then a hole can be drilled to allow a two tread overlap between the bottom and middle sections.

Extend the ladder and support the bottom section with the required overlap, making sure that the overlapping treads are level. Mark the position of the catch within the runner. Using a 7mm bit, drill a hole using the mark as the bottom edge of the drill. The ladder will now lock into position giving a 2 tread overlap. Any extra over lap can be reduced by cutting down the legs.

- From above slide red stops in rear of ladder hard down onto mounting slides and tighten both screws fully. (Fig. 2)

THE LADDER MAY NOW BE CLIMBED

- Lower pivot arm (attaching it to top of ladder) into position on sliding top board and screw tightly home. (Fig. 3)
- The optional handrail can be fitted as shown in Fig. 4



Storing the MCL

- Release catches and slide lower and middle sections upwards together ensuring the upper catches engage.
- Engage operating pole in ring under lower middle tread and push along line of ladder causing the ladder unit to slide and rotate upwards into it's semi-stored position.
- Continue pushing horizontally with the pole causing the sliding base to move fully into the loft.
- Disengage pole and close door.

To operate the MCL ladder just repeat the storage instructions in reverse order, **MAKING SURE THAT THE TOP STOPS ARE ENGAGED AGAINST THE MOUNTING SLIDES.**

