

## Additional User Notes

6. To extend guardrail, ensure spring clips are disengaged from frame section (see fig 4).
  - Raise handrail until locating hole becomes visible - reengage spring clips.
  - Fit additional braces horizontally from frame G1 to G2 at front and rear of work platform, to provide an all round lockable guardrail system.
7. Push unit into position with folding frame A facing work, rest on a firm and level base beware of any overhead hazards near where you are going to work.
8. When standing on work platform swing guardrail gate F into position and lock behind you.
9. To move unit unlock gate and dismount, unlock castors and repeat procedures 6 & 7.
10. Safe working load on work platform 150kg or one man plus hand tools.
11. Do not over reach when working on platform, and limit horizontal force to 10kg (22lb) work only at a comfortable arms length.
12. Do not, under any circumstances, move unit with anyone on it.
13. Never put anything on the platforms to gain extra height, stand on the work platform only.
14. Never use damaged or incompatible equipment.
15. If in doubt about any application do not guess consult your supplier.
16. See opposite for checklist.

## Assembly Checklist

To be carried out at least once a week.

- 1 Check castors are firmly fixed and locking mechanisms are functioning correctly, if not, adjust to suit.
- 2 Check step hook clips engage correctly.
- 3 Decking should be checked for damage and free of any material likely to cause slipping ie oil etc.
- 4 Check knuckle hinges are secure and operate correctly.
- 5 Check knuckle joint locking pin is attached.
- 6 Check all welds are free from cracks or damage.
- 7 Check all tubes are free from dents or damaged.
- 8 Check that erected steps are used on a level surface
- 9 Check for correct positioning of platform and extending guardrail.

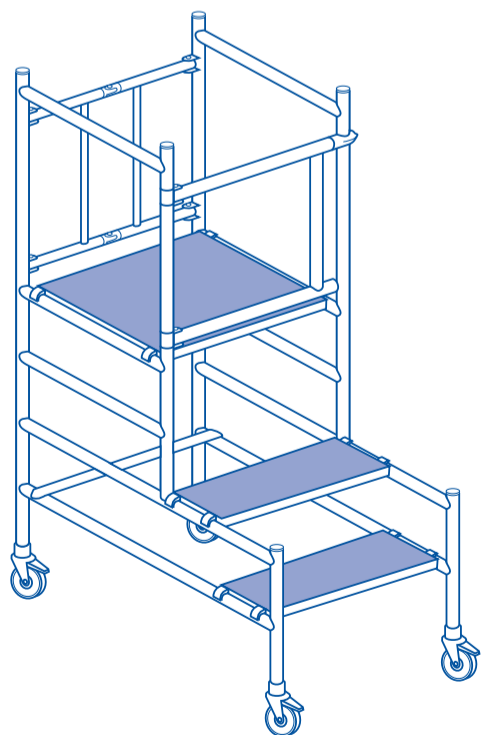
Always refer to this checklist before and after erection of the podium

**If in doubt about any application consult your supplier for advice.**

**Please remember - A thorough risk assessment must be carried out prior to any work being carried out at height.**

3179-072005

**LYTE**  
LADDERS • TOWERS



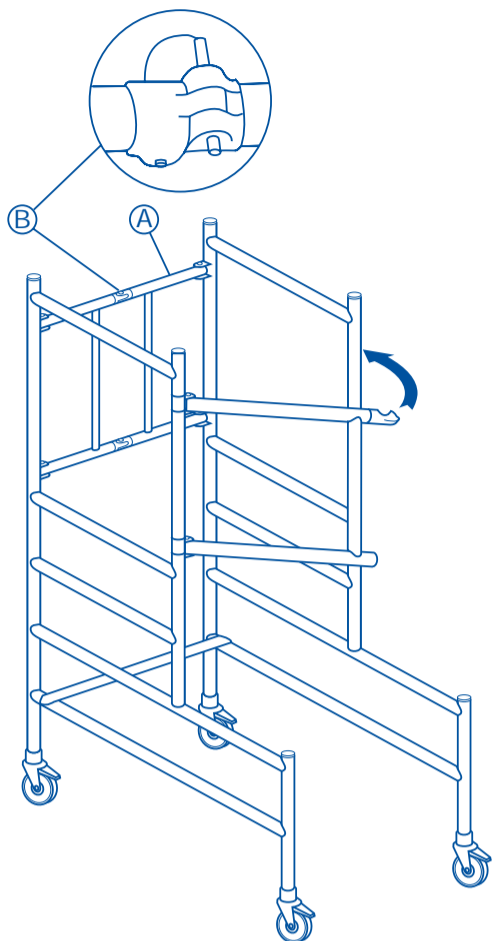
**LYTE**  
LADDERS • TOWERS

Lyte Ladders Wind Rd, Ystradgynlais,  
Powys, UK SA9 1FY

Telephone: 01639 846800 Sales Fax: 01639 841541  
Email: sales@lytetowers.co.uk

**Assembly Instructions for  
Lyte Podium Steps**

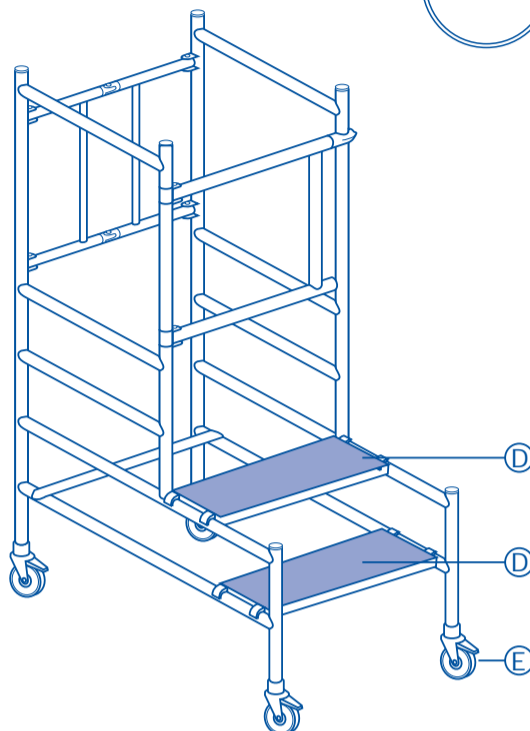
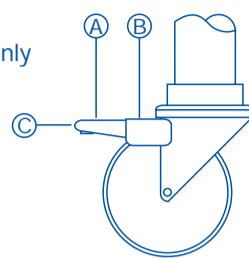
1



1. Open steps until folding frame A mechanisms lock at B. Secure knuckle joint with pin B
2. Fit horizontal brace to bottom rung of the back of the step for extra stability.

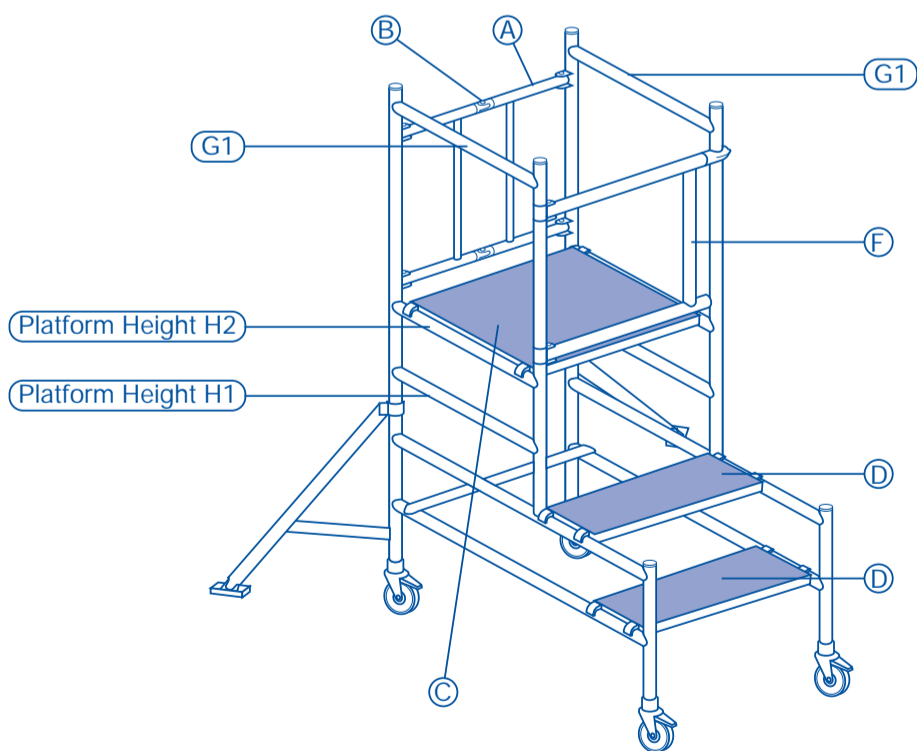
2

To lock castors press lever A  
To unlock castors press lever B only  
To adjust brake turn bolthead C



3. Fit small platforms D to form steps up to the top platform. Ensure the locking mechanisms of the hooks have engaged.

3



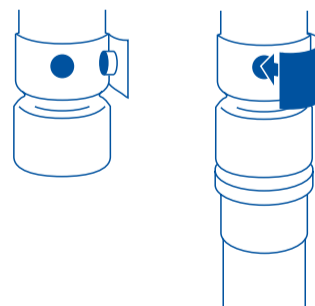
4. Fit work platform C at required rung height (H1 / H2).
5. If working at platform height one (H1), guardrail in the retracted position is at a sufficient height, however, when working at platform height two (H2), the guardrail must be extended.

### Special Note

There may sometimes be a requirement for stabilisers to be fitted, if so, fit on to back verticals as shown, to be in line with folding back frame.

4

Disengage Spring Clip



4. Fit work platform C at required rung height (H1 / H2).
5. If working at platform height one (H1), guardrail in the retracted position is at a sufficient height, however, when working at platform height two (H2), the guardrail must be extended.