

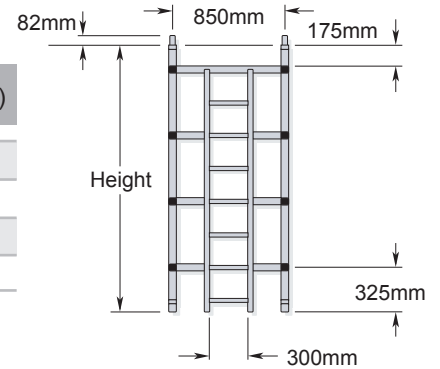
# BoSS Lift Shaft/Confined Space Tower

## Tables and Diagrams - Page 1 of 2

### Single Width Ladder Frame

500mm Rung Pitch, 250mm Ladder Rung Pitch

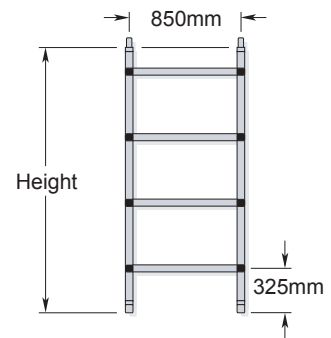
Order Code	Component Name	Height (m)	Weight (kg)
	850 "Single Width" Ladder Frame		
307513	2 Rung	1.000	4.65
307513	3 Rung	1.500	6.81
306513	4 Rung	2.000	8.96



### Single Width Span Frame

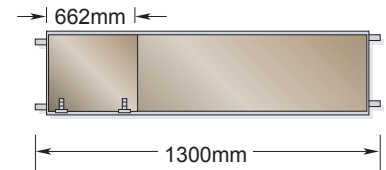
500mm Rung Pitch

Order Code	Component Name	Height (m)	Weight (kg)
	850 "Single Width" Span Frame		
302513	2 Rung	1.000	3.52
301513	3 Rung	1.500	4.99
300513	4 Rung	2.000	6.58



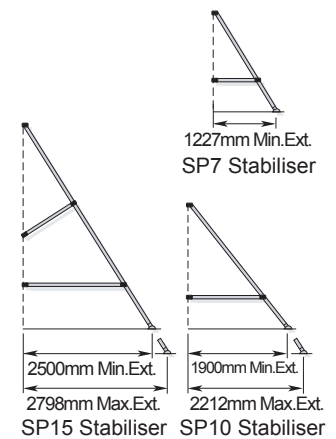
### Trapdoor Deck

Order Code	Component Name	Length (m)	Weight (kg)
323511	Trapdoor Deck 1.3	1.300	8.3



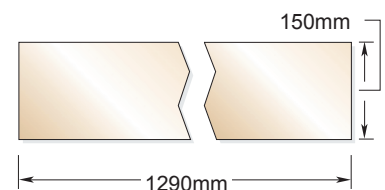
### Stabilisers

Order Code	Component Name	Max Ext (m)	Weight (kg)
317513	Stabiliser SP7	1.227	5.80
318513	Stabiliser SP10	2.212	9.07
319513	Stabiliser SP15	2.798	12.70
316514	Lift Shaft / Confined Space Stabiliser	0.82	2.75



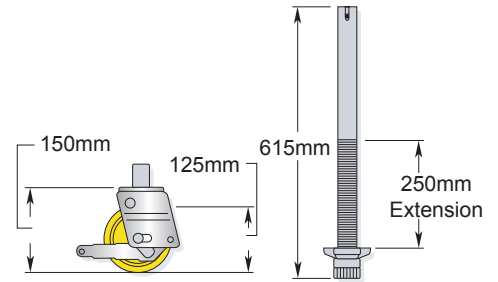
### Timber Toeboards

Order Code	Component Name	Length (m)	Weight (kg)
302509	End Toeboard 600m	0.585	1.04
313509	Lift Shaft Toeboard 1.3m	1.290	2.31
301509	Toeboard Clip	-	0.32



**Castor, Base Plate and Adjustable Leg**

Order Code	Component Name	Weight (kg)
328423	Castor 150mm	3.25
335513	Adjustable Leg	1.03
330413	Base Plate	1.9



**Braces**

Order Code	Component Name	Length (m)	Weight (kg)
356513	1.3m Horiz. (Red)	1.30	1
357513	1.67m Diag.(Blue)	1.67	2

