

# VCL Carriage Ladder Fitting Instruction (Timber Model)

## Loft Ladder Safety

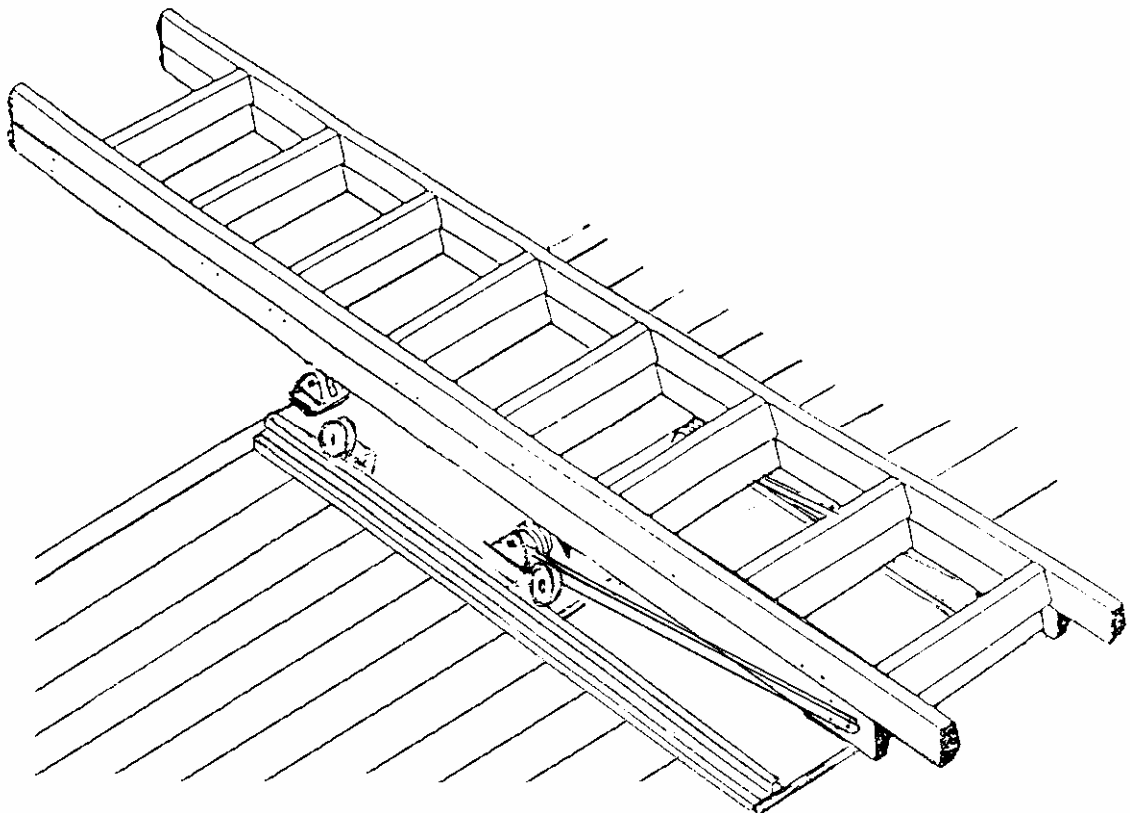
Loft ladder should not be retracted and / or lowered whilst the user is in the loft.

Never climb the ladder unless fully extended with catch engaged

It is recommended that the installation is carried out by two people.

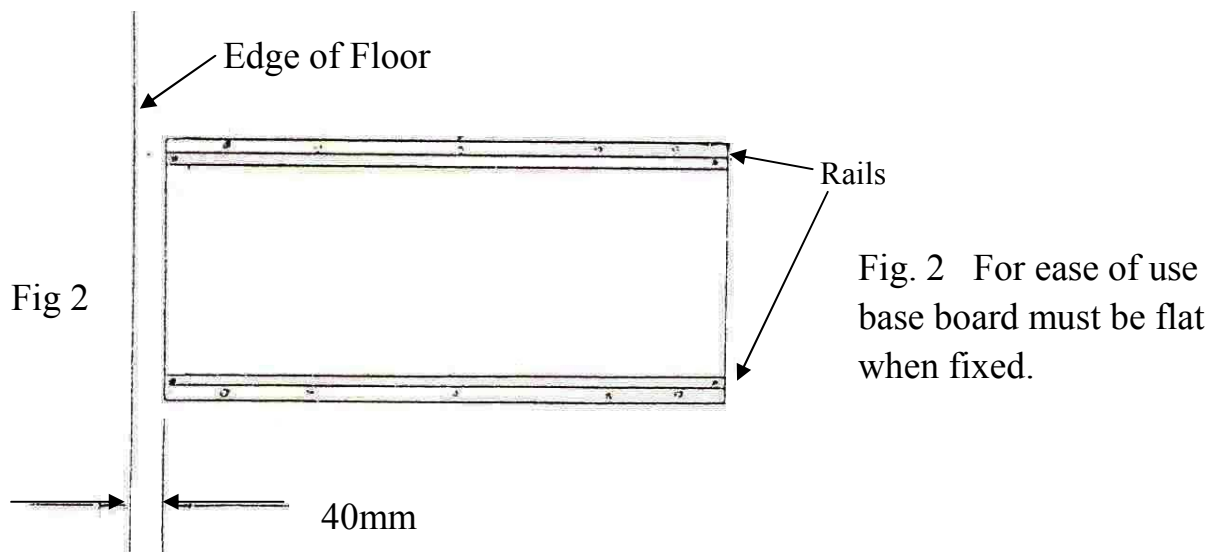
Read the instructions completely before attempting to install this loft ladder and make sure they are fully understood.

Always hold the lower section of ladder when releasing the catch.

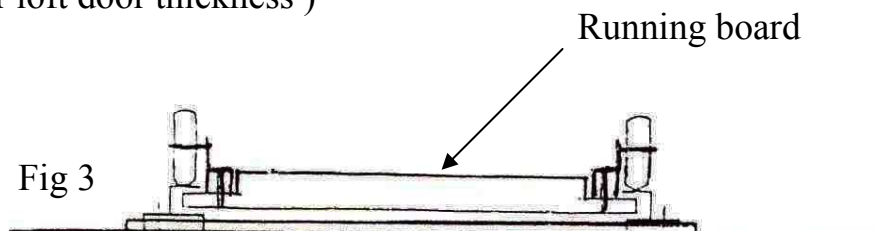


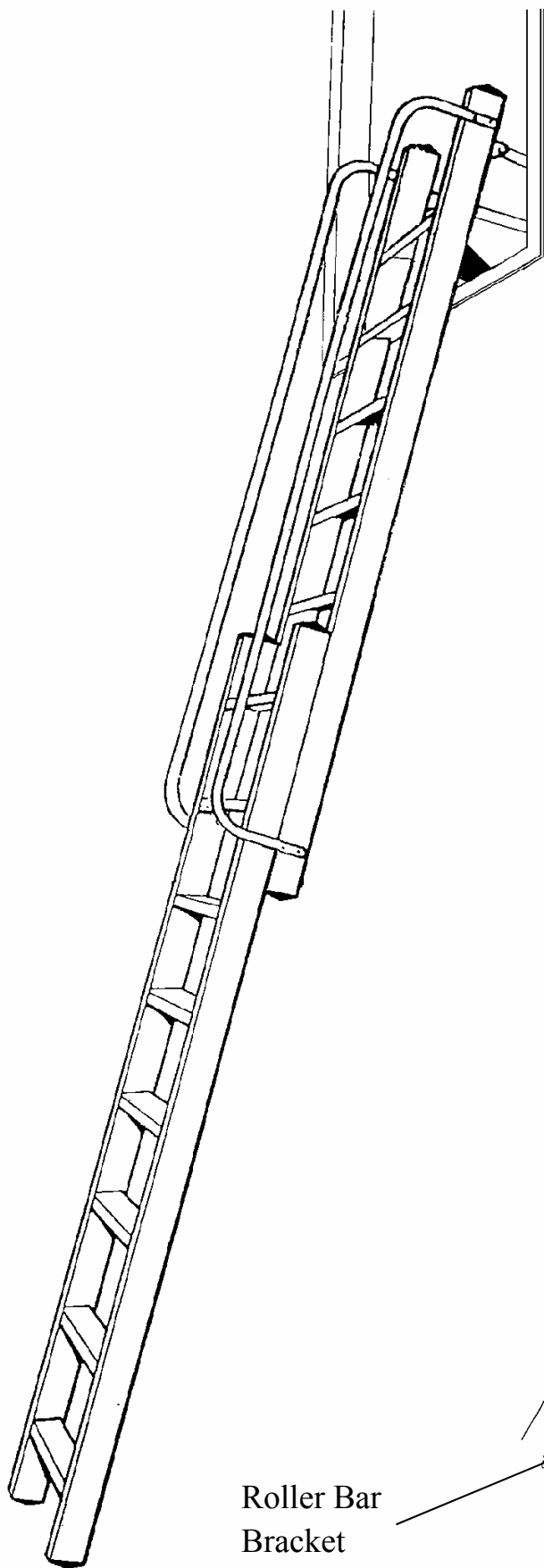
## 1. FIXING RUNNINGBOARD TO FLOOR

1. Fix baseboard to loft floor using 1 1/4" x 10 Pan-head screws through rails (Fig. 2). Front rails should be max 40mm from edge of loft floor.  
(If site conditions are different please phone the Office)
2. Fit ladder to Running Board, as per Timber Sliding Loft ladder Installation instructions. Use the supplied 1" x 10 Pan-head screws instead of B4 screws to secure roller bar bracket as shown on page 3.
3. BEFORE fitting the Spring Housing Assembly, screw the Pine Packing Board to the Carriage Board UNDER the Spring Housing Assembly using the 2" x 10 CSK Screws.

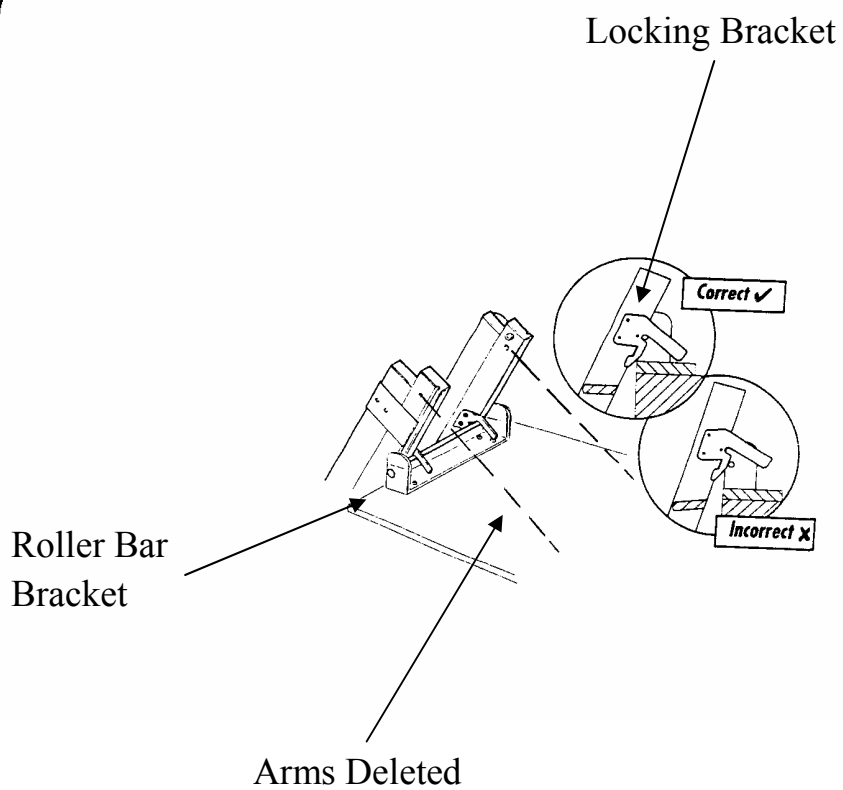


(Max space for loft door thickness )

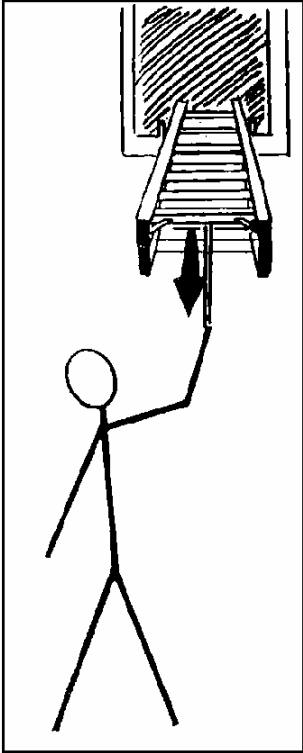




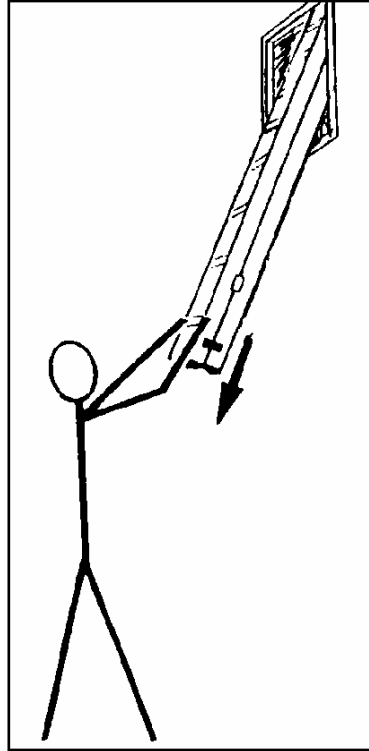
NOTE : Fix locking brackets in position as shown in ladder instructions.



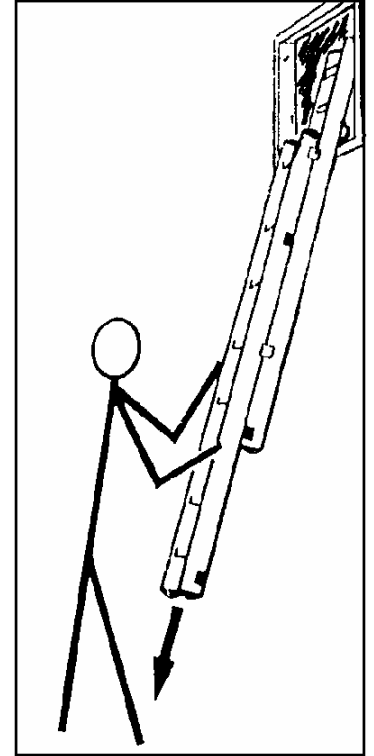
# Operating Instructions



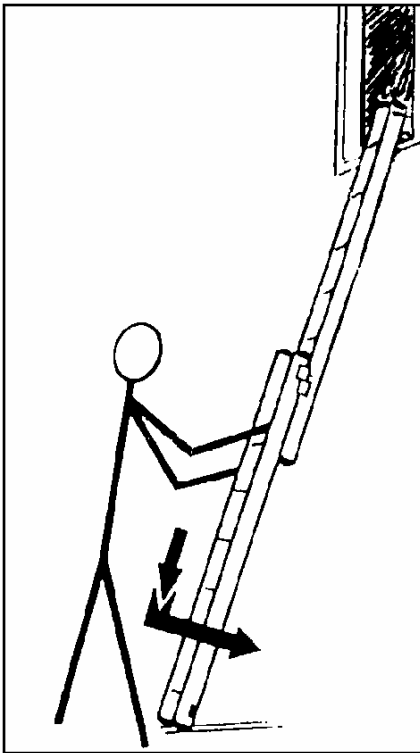
1. Pull ladder and carriage fully forward with pole



2. Pull ladder fully down with pole. Release catch and lower by hand



3. Extend to floor



4. Ensure catch is engaged in upper slot and ladder stops are abutted