

Attic ladders



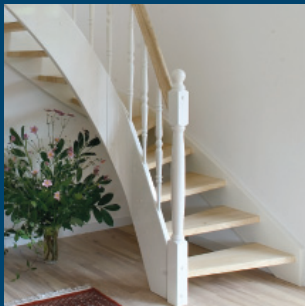
Space saving staircases



Modular staircases



Spiral staircases



Main staircases



F 30

Fire resistant attic ladder

- 3-section folding attic ladder in a fire resistant construction - requires no headroom or storage space in the loft.
- Fire tested from above and from below according to DIN EN 4102-2:1977-09
- Supplied with wooden architraves for extra finish.
- Draught excluder contained in casing and fire resistant trapdoor consisting of 50 mm rockwool and 8 mm MDF plate.
- Air sealing: Class 4 according to DIN EN 12114.
- 5 standard sizes. Also available as special measure. Floor-to-ceiling heights up to 336 cm as special measure.
- Sturdy spring counter balancing system for smooth and effortless operation.
- Nice finish with white-faced trapdoor.
- Non-slip treads and plastic feet for extra security.
- Easy operation - delivered with a latch lock.
- Hidden trapdoor hinges make it easy to paint, varnish or clad the trapdoor.
- Specially developed height adjustment system.
- Casing and trapdoor with a rebate for extra tight closing.
- Easy operation – delivered with push/pull rod made of wood.
- Ladder assembled for easy and quick installation.
- Tested according to EN 14975:
 - test load 265 kg,
 - max working load 150 kg.

F 30

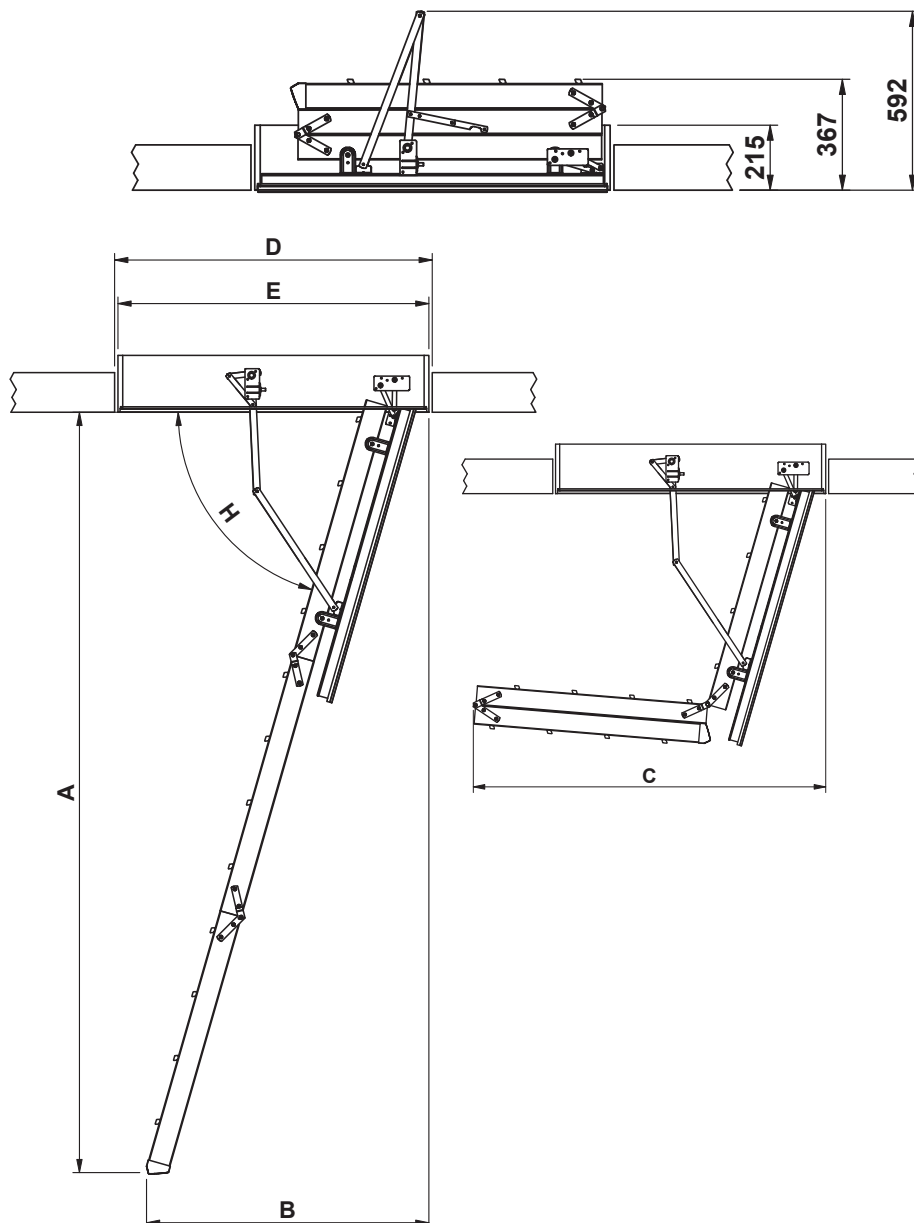
Technical data (model no. 10200)

Model no.	Casing size (E)	Opening size (D)	Floor-to-ceiling height max. (A)	Casing height (F)	Number of treads	Max. landing space (B)	Max. swing clearance (C)
10222	113,0 x 55	115 x 57	288 cm	21,5 cm	12	136 cm	162,5 cm
10226	117,5 x 58	120 x 60	288 cm	21,5 cm	12	136 cm	162,5 cm
10227	117,5 x 68	120 x 70	288 cm	21,5 cm	12	136 cm	162,5 cm
10237	127,5 x 68	130 x 70	288 cm	21,5 cm	12	136 cm	162,5 cm
10247	137,5 x 68	140 x 70	288 cm	21,5 cm	12	136 cm	162,5 cm

Special measure:

Casing width min.: 47,6 cm, max. 84,6 cm, casing length min.: 109,5 max. 157,5 cm.
 Casing width x length = max. 0,93 m². At floor-to-ceiling heights over 288 cm, the casing length = min. 137,5 cm.
 Casing height for special measures, min. 18 cm - max. 80 cm.

H: 68° - 74°



Casing

Material: blockboard
 Thickness: 18 mm
 Height, standard: 190 mm
 Unless otherwise specified:
 Height, special: 190 mm

The lower edge of the casing is rebated and has a draught excluder, which ensures tight closing.

Trapdoor

Material: 50 mm spruce frame,
 50 mm rockwool covered with 3 mm white HDF plate.
 Thickness: 56 mm
 Insulation: 50 mm rockwool
 Insulation coefficient: 0,62 W/m² °C

Ladder

Treads: beech
 Strings: pine
 Width: 400 mm
 Distance between treads: 250 mm

Tread dimensions

Thickness: 18 mm
 Depth: 83 mm

String dimensions

Thickness: 21 mm
 Depth: 83 mm

All treads have a non-slip surface and treads and strings are dovetail assembled.

Accessories

- Guardrail
- Metal handrail
- Mounting brackets